



Pedal Latch Upgrade Kit

Models: T300, T300e, Speed Scrub 300, A300



This kit contains the necessary parts to improve pedal latch disengagement when lowering scrub head from the raised position.

NOTE: The kit includes the necessary parts to rework all model types (disk, orbital & cylindrical).

The kit is intended for models manufactured before model serial numbers: 10778394 or U11213. To identify these models, the model is equipped with the following pedal latch bracket.



INSTALLATION INSTRUCTIONS:

Installation Time: .5 Hours

Tools Required: 10 mm wrench, 13 mm wrench and 13 mm socket wrench

FOR SAFETY: Before servicing machine, stop on level surface, turn key off, and set parking brake if equipped.

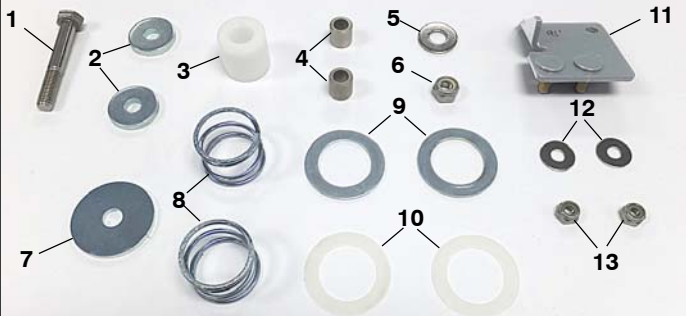
1. Lower scrub head to floor.



2. Remove scrub head shroud from machine.

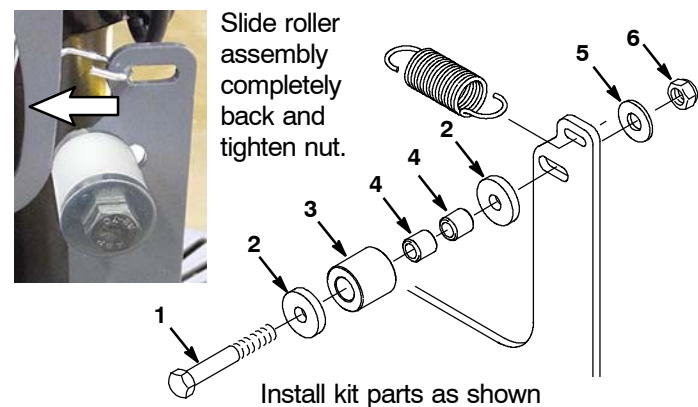


9014788 Kit Contents

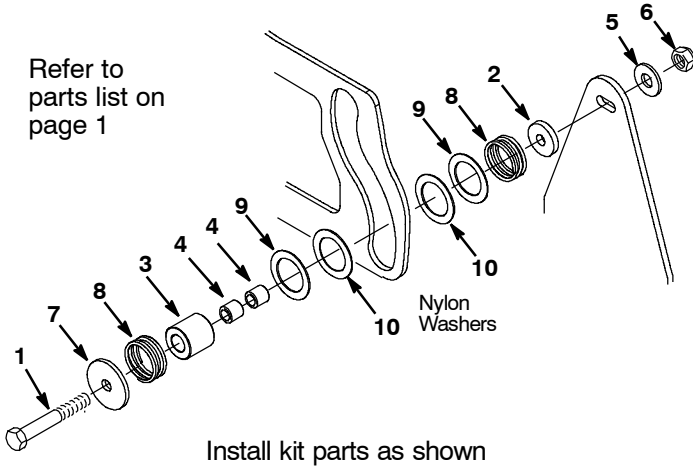
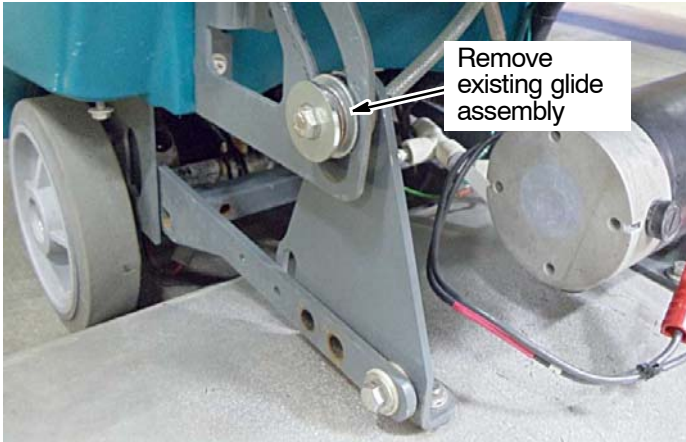


Ref	Part No.	Description	Qty.
1	222504	Screw, Hex, Lock, M6 x 1.00, NL, SS	1
2	1028796	Washer, Flat, 0.33B 1.00D .18, STL, PL	2
3	1014020	Roller, 0.99D 0.50B 0.95L, acetal	2
4	222460	Sleeve, p/m, 0.32B 0.50D 0.5L	2
5	01685	Washer, Flat, 0.38B 0.88d .08, SS	1
6	08713	Nut, Hex, Lock, M8 x 1.25, NL, SS	1
7	379829	Washer, Flat, 0.43B 1.50D .12, Stl, PL	1
8	1210103	Spring, Cmpr, 1.23OD 0.085wir 0.88L	2
9	20955	Washer, Flat, 1.03B 1.50D .04, Stl, PI	2
10	1210112	Washer, Flat 1.03B 1.50D .03, Nylon	2
11	1223078	Bracket Weldment, Latch	1
12	01684	Washer, Flat, 0.27B 0.69D .05 ss	2
13	08712	Nut, Hex, Lock, m6 x 1.00, NL, ss	2

3. **Disk/Orbital Scrub Head Model** - Remove existing head lift glide assembly from machine and discard. Install kit parts as shown.



- 4. **Cylindrical Brush Model** - Remove existing head lift glide assembly from machine and discard. Install kit parts as shown.



- 5. Replace scrub head shroud.



- 6. Remove existing pedal latch bracket from machine frame and discard. Install new latch bracket.

